

Rilevatore Gas industriale, con cartuccia sensore sostituibile

Industrial gas detector, with replaceable sensor cartridge



Filmato
Video



Istruzioni d'uso
User's Manual

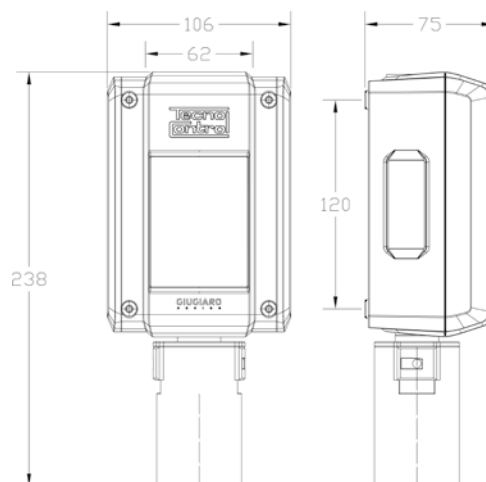


Certificazione
Certification

TS282

- Alimentazione: 12÷24 Vcc
- Grado di protezione: IP65
- No. 1 uscita lineare 4÷20 mA
- No. 3 LED mostrano lo stato di funzionamento (rosso: allarme; verde: alimentazione; giallo: guasto)
- Morsetti ad innesto polarizzati

- Power supply: 12÷24 Vdc
- IP Rating: IP65
- No. 1 linear 4÷20 mA current output
- No. 3 LED shows the working conditions (red: alarm; green: normal; yellow: fault)
- Terminals plug-in polarized type



Codice Code	Gas rilevato Gas detected	Cartuccia ricambio Cartridge replacement	Campo misura Measuring range	Bombola taratura Calibration cylinder	Vita media in aria pulita Average time in clean air	Prezzo Price	Tecnologia Technology
TS282KM	Metano - Natural gas	ZSK01/IP	0÷20% LFL	B0200	5 anni/years	€ 307,50	CA
TS282KG	GPL - LPG	ZSK01/IP	0÷20% LFL	B0200	5 anni/years	€ 307,50	
TS282KI	Idrogeno - Hydrogen	ZSK02/IP	0÷20% LFL	B0200	5 anni/years	€ 307,50	PE
TS282KB	Benzina - Petrol	ZSKB/IP	0÷20% LFL	B0200	5 anni/years	€ 307,50	
TS282PM	Metano - Natural gas	ZSP/IP	0÷100% LFL	B0200	5 anni/years	€ 387,30	EL
TS282PG	Gpl - LPG	ZSP/IP	0÷100% LFL	B0200	5 anni/years	€ 387,30	
TS282PI	Idrogeno - Hydrogen	ZSP/IP	0÷100% LFL	B0200	5 anni/years	€ 387,30	EL
TS282PB	Benzina - Petrol	ZSP/IP	0÷100% LFL	B0200	5 anni/years	€ 387,30	
TS282PX	Vedi tabella 1 - See Table 1	ZSP/IP	0÷100% LFL	B0200	5 anni/years	€ 387,30	EL
TS282EA	Ammoniaca - Ammonia	ZSEA/IP	0÷300 ppm	B0501	2 anni/years	€ 1.075,10	
TS282EA-H	Ammoniaca - Ammonia	ZSEA-H/IP	0÷300 ppm	B0501	2 anni/years	€ 1.614,60	EL
TS282EC-S	Ossido di carbonio - Carbon monoxide	ZSEC/IP	0÷300 ppm	B0210	3 anni/years	€ 426,60	
TS282EC-H	Ossido di carbonio - Carbon monoxide	ZSEC-H/IP	0÷300 ppm	B0210	2 anni/years	€ 901,00	EL
TS282EH	Idr. solforato - Hydrogen sulphide	ZSEH/IP	0÷100 ppm	B0420	2 anni/years	€ 907,00	
TS282ECL	Cloro - Chlorine	ZSECL/IP	0÷10 ppm	on request	2 anni/years	€ 660,80	EL
TS282EHCL	Acido cloridrico - Hydrogen chloride	ZSEHCL/IP	0÷10 ppm	B0477	2 anni/years	€ 1.435,60	
TS282EHCN	Acido cianidrico - Hydrogen cyanide	ZSEHCN/IP	0÷10 ppm	B0479	2 anni/years	€ 1.133,60	EL
TS282EN	Ossido di azoto - Nitric oxide	ZSEN/IP	0÷100 ppm	B0472	2 anni/years	€ 1.001,50	
TS282EN2	Biossido di azoto - Nitrogen dioxide	ZSEN2/IP	0÷30 ppm	on request	2 anni/years	€ 749,70	EL
TS282ES	Anidride solforosa - Sulfur dioxide	ZSES/IP	0÷20 ppm	B0468	2 anni/years	€ 1.013,10	
TS282E0	Ossigeno - Oxygen	ZSE0/IP	0÷25% Vol.	B0416	2 anni/years	€ 626,00	EL