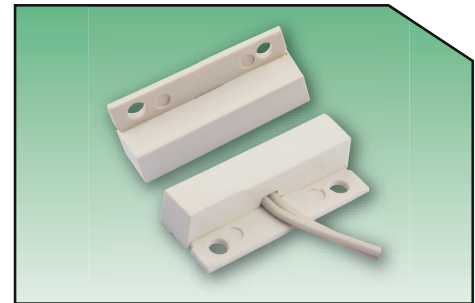


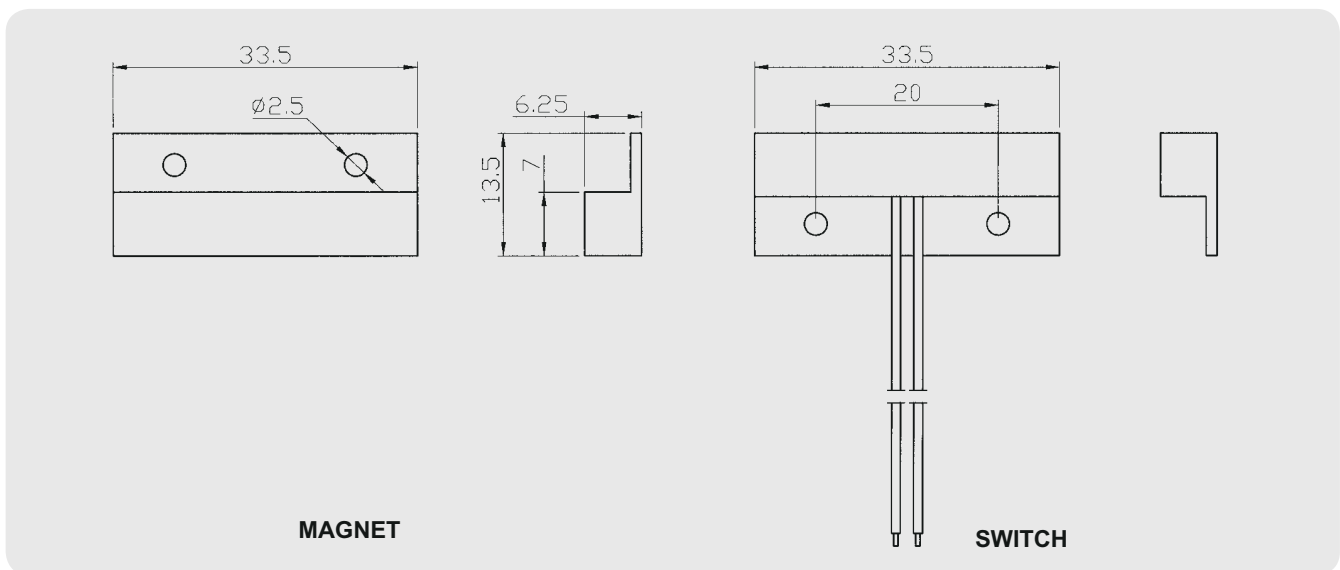
Specification: **BS-2021**

- Mini Stick-on contact with flange
- Center leads with #22AWG 18" length
- Adhesive and screw mount included
- Longer leads on request
- Switches or magnets available seperately
- Resistor, Diode and Supervisory Loop available on request
- Colors: White, Brown, Grey
- Without Flange (BS-2024)

••• Surface Mounted



Dimension (mm):



Order Information:

Part Number	Loop Type	Reed Form	Closed Gap [Inch(mm)]	Depature Gap [Inch(mm)]	Maximum Initial Contact Resistance (Ohm)	Maximum Contact Rating (W)	Maximum Switching Voltage (VDC/VAC)	Maximum Switching Current (A)
BS-2021	Closed	N/O	0.94(24)	1.02 (26)	0.150	10	100	0.5
BS-2021A	Open	N/C	1(24)		0.150	3	30	0.2
BS-2021C	Closed & Open	SPDT	1(24)		0.150	3	30	0.2