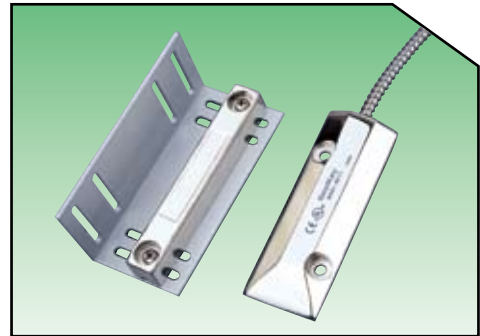


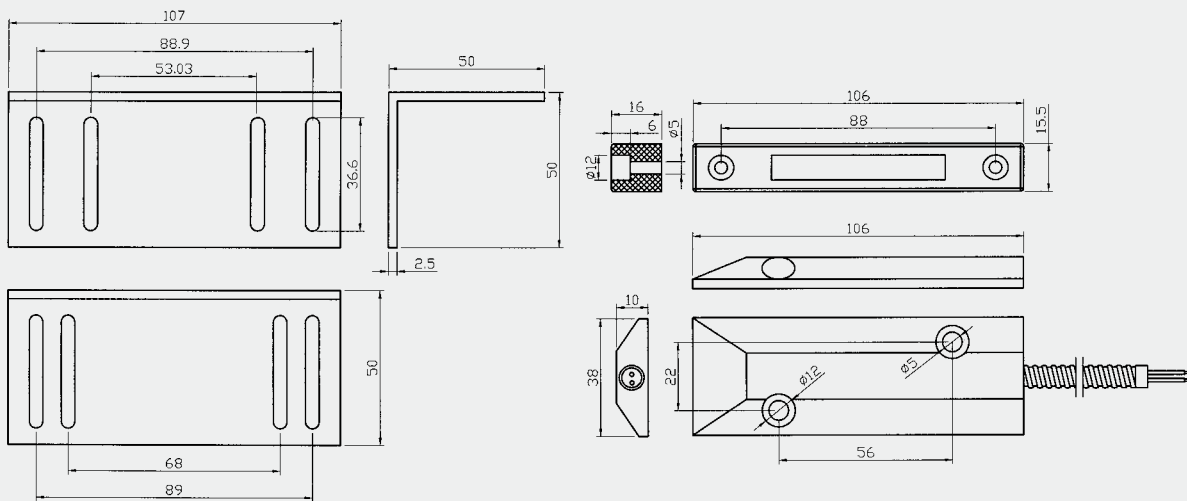
## Specification: **BSD-3011**

- \* Cast aluminum casting for harsh environment
- \* Wire: #22AWG with 22" armored cable
- \* Longer cable available on request
- \* Optional " L " bracket
- \* Resistor, Diode and Supervisory Loop available on request

## ... Overhead Door Contact



## Dimension (mm):



## Order Information:

Part Number	Loop Type	Reed Form	Closed Gap [Inch(mm)]	Departure Gap [Inch(mm)]	Maximum Initial Contact Resistance (Ohm)	Maximum Contact Rating (W)	Maximum Switching Voltage (VDC/VAC)	Maximum Switching Current (A)
BSD-3011	Closed	N/O	2.95 (75)	3.18 (80)	0.150	7.5	100	0.4
BSD-3011WG	Closed	N/O	3 <sup>1</sup> / <sub>2</sub> (90)	3.75 (95)	0.150	7.5	100	0.4
BSD-3011A	Open	N/C	2 <sup>1</sup> / <sub>2</sub> (65)		0.150	3	30	0.2
BSD-3011C	Closed & Open	SPDT	2 <sup>1</sup> / <sub>2</sub> (65)		0.150	3	30	0.2
BSD-301 1D	DPDT	2-SPDT	2 <sup>1</sup> / <sub>2</sub> (65)		0.150	3	30	0.2

\* These magnetic contact switches shall be installed so that a door or other movable opening cannot be opened more than 2 inches (51mm) without initiating an alarm. Switches exceeding 2 inches can not be installed per UL681-the Standard for installation and Classification of Burglar and Holdup Alarm